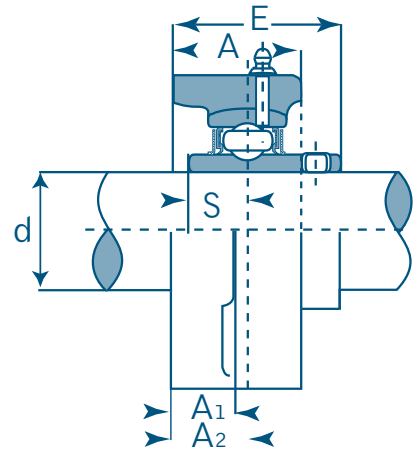
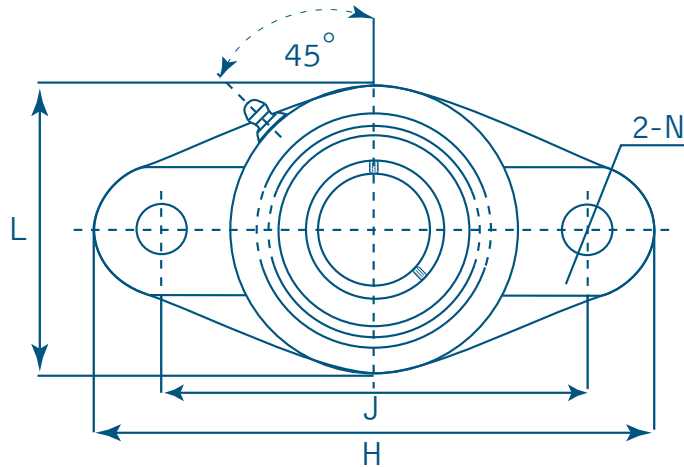


## UCFL Set Screw Locking

Unit No.	Shaft Dia. Inch / mm	Dimensions Inch / mm									Bolt Size	Bearing No.	Housing No.	Mass	
		H	J	A	A1	A2	N	L	E	S				kg	lbs
UCFL 201 201-8 202 202-10 203 203-11 204 204-12	12 mm 1/2 15 mm 5/8 17 mm 11/16 20 mm 3/4	4-7/16 113	3-35/64 90	1 25.4	7/16 11	19/32 15	15/32 12	2-3/8 57	1-5/16 33.3	0.500 12.7	3/8 M10	UC 201 201-8 202 202-10 203 203-11 204 204-12	FL 204	0.45 0.44 0.44 0.44 0.43 0.42 0.41 0.41	0.99 0.97 0.97 0.97 0.95 0.92 0.90 0.90
UCFL 205 205-14 205-15 205-16	25 mm 7/8 15/16 1	5-1/8 130	3-57/64 99	1-1/16 27	1/2 13	5/8 16	5/8 16	2-11/16 68	1-13/32 35.8	0.5629 14.3	1/2 M 14	UC 205 205-14 205-15 205-16	FL 205	0.58 0.61 0.59 0.58	1.28 1.34 1.30 1.28
UCFL 206 206-18 206-19 206-20	30 mm 1-1/8 1-3/16 1-1/4	5-13/16 148	4-39/64 117	1-7/32 31	1/2 13	45/64 18	5/8 16	3-5/32 80	1-19/32 40.2	0.6259 15.9	1/2 M 14	UC 206 206-18 206-19 206-20	FL 206	0.86 0.88 0.86 0.85	1.89 1.94 1.89 1.87
UCFL 207 207-20 207-21 207-22 207-23	35 mm 1-1/4 1-5/16 1-3/8 1-7/16	6-11/32 161	5-1/8 130	1-13/32 34	35/64 14	3/4 19	5/8 16	3-35/64 90	1-3/4 44.4	0.6889 17.5	1/2 M14	UC 207 207-20 207-21 207-22 207-23	FL 207	1.08 1.14 1.11 1.08 1.05	2.38 2.51 2.44 2.38 2.31
UCFL 208 208-24 208-25	40 mm 1-1/2 1-9/16	6-7/8 175	5-43/64 144	1-13/32 36	35/64 14	53/64 21	5/8 16	3-15/16 100	2-1/64 51.2	0.7480 19	1/2 M 14	UC 208 208-24 208-25	FL 208	1.44 1.48 1.45	3.17 3.26 3.19
UCFL 209 209-26 209-27 209-28	45 mm 1-5/8 1-11/16 1-3/4	7-13/32 188	5-53/64 148	1-1/2 38	19/32 15	55/64 22	3/4 19	4-1/4 108	2-1/16 52.2	0.7480 19	5/8 M16	UC 209 209-26 209-27 209-28	FL 209	1.74 1.84 1.80 1.76	3.83 4.05 3.96 3.87

# Two - Bolt Holes Flange Unit

Normal Duty



## UCFL Set Screw Locking

Unit No.	Shaft Dia. Inch / mm	Dimensions Inch / mm									Bolt Size	Bearing No.	Housing No.	Mass	
		H	J	A	A1	A2	N	L	E	S				kg	lbs
UCFL 210 210-30 210-31 210-32	50 mm 1-7/8 1-15/16 2	7-3/4 197	6-3/16 157	1-37/64 40	19/32 15	55/64 22	3/4 19	4-17/32 115	2-5/32 54.6	0.7480 19	5/8 M16	UC 210 210-30 210-31 210-32	FL 210	2.10 2.17 2.12 2.08	4.62 4.77 4.66 4.58
UCFL 211 211-32 211-34 211-35	55 mm 2 2-1/8 2-3/16	8-13/16 224	4-1/4 184	1-11/16 43	23/32 18	63/64 25	3/4 19	5-1/8 130	2-5/16 58.4	0.8740 22.2	5/8 M16	UC 211 211-32 211-34 211-35	FL 211	2.91 3.06 2.95 2.89	6.40 6.73 6.49 6.36
UCFL 212 212-36 212-38 212-39	60 mm 2-1/4 2-3/8 2-7/16	9-27/32 250	7-61/64 202	1-7/8 48	23/32 18	1-9/64 29	29/32 23	5-1/2 140	2-23/32 68.7	1.000 25.4	3/4 M 20	UC 212 212-36 212-38 212-39	FL 212	3.74 3.87 3.72 3.65	8.23 8.51 8.18 8.03
UCFL 213 213-40	65 mm 2-1/2	10-5/32 258	8-17/64 210	1-31/32 50	7/8 22	1-3/16 30	29/32 23	6-3/32 155	2-3/4 69.7	1.000 25.4	3/4 M 20	UC 213 213-40	FL 213	4.57 4.66	10.05 10.25
UCFL 214 214-43 214-44	70 mm 2-11/16 2-3/4	10-7/16 265	8-1/2 216	2-1/8 54	7/8 22	1-7/32 31	29/32 23	6-5/16 160	2-31/32 75.4	1.1889 30.2	3/4 M 20	UC 214 214-43 214-44	FL 214	5.11 5.22 5.12	11.24 11.48 11.26
UCFL 215 215-47 215-48	75 mm 2-15/16 3	10-13/16 275	8-55/64 225	2-7/32 56	7/8 22	1-11/32 34	29/32 23	6-1/2 165	3-3/32 78.5	1.3110 33.3	3/4 M 20	UC 215 215-47 215-48	FL 215	5.37 5.51 5.40	11.81 12.12 11.88
UCFL 216 216-50	80 mm 3-1/8	11-13/32 290	9-11/64 233	2-9/32 58	7/8 22	1-11/32 34	63/64 25	7-3/32 180	3-9/32 83.3	1.3110 33.3	7/8 M 22	UC 216 216-50	FL 216	7.20 7.38	15.84 16.24
UCFL 217 217-52 217-55	85 mm 3-1/4 3-7/16	12 305	9-49/64 248	2-15/32 63	15/16 24	1-27/64 36	63/64 25	7-15/32 190	3-7/16 87.6	1.3425 34.1	7/8 M 22	UC 217 217-52 217-55	FL 217	8.61 8.83 8.69	18.94 19.43 19.12
UCFL 218 218-56	90 mm 3-1/2	12-19/32 320	10-7/16 265	2-11/16 68	15/16 24	1-37/64 40	63/64 25	8-1/16 205	3-25/32 96.3	1.5629 39.7	7/8 M 22	UC 218 218-56	FL 218	10.51 10.62	23.12 23.36