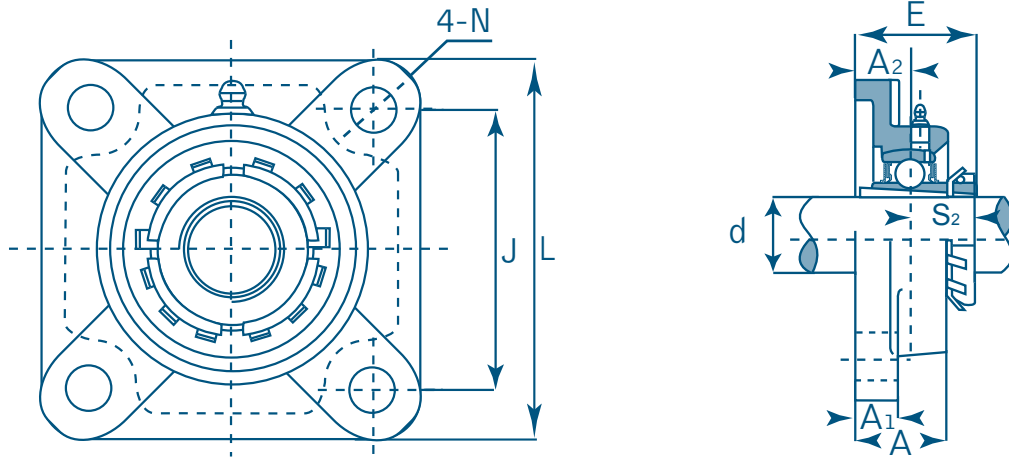


UKF + H Adapter Sleeve Locking

Unit No.	Shaft Dia. Inch / mm d	Dimensions Inch / mm								Bolt Size	Bearing No.	Adapter No.	Housing No.	Weight	
		L	J	A	A1	A2	N	E	S2					kg	lbs
UKF 205 + H 2305 + HE 2305	20 mm 3/4	3-3/4 95	2-3/4 70	1-1/16 27	35/64 14	5/8 16	15/32 12	1-25/64 35.5	0.7283 18.5	3/8 M 10	UK 205	H 2305 HE 2305	F 205	0.85	1.87
UKF 206 + H 2306 + HA 2306 + HE 2306 + HS 2306	25 mm 7/8 15/16 1	4-1/4 108	3-17/64 83	1-7/32 31	35/64 14	45/64 18	15/32 12	1-17/32 39	0.8070 20.5	3/8 M 10	UK 206	H 2306 HA 2306 HE 2306 HS 2306	F 206	1.16	2.55
UKF 207 + H 2307 + HA 2307 + HS 2307	30 mm 1-1/8 1-3/16	4-39/64 117	3-5/8 92	1-11/32 34	5/8 16	3/4 19	35/64 14	1-43/64 42.5	0.8858 22.5	7/16 M 12	UK 207	H 2307 HA 2307 HS 2307	F 207	1.55	3.41
UKF 208 + H 2308 + HE 2308 + HS 2308	35 mm 1-1/4 1-3/8	5-1/8 130	4-1/64 102	1-27/64 36	5/8 16	53/64 21	5/8 16	1-53/64 46.5	0.9640 24.5	1/2 M 14	UK 208	H 2308 HE 2308 HS 2308	F 208	1.94	4.27
UKF 209 + H 2309 + HA 2309 + HE 2309 + HS 2309	40 mm 1-7/16 1-1/2 1-5/8	5-13/32 137	4-9/64 105	1-1/2 38	23/32 18	55/64 22	5/8 16	1-29/32 48.5	1.0236 26	1/2 M 14	UK 209	H 2309 HA 2309 HE 2309 HS 2309	F 209	2.30	5.06
UKF 210 + H 2310 + HA 2310 + HE 2310 + HS 2310	45 mm 1-5/8 1-11/16 1-3/4	5-5/8 143	4-3/8 111	1-9/16 40	23/32 18	55/64 22	5/8 16	1-31/32 50	1.0826 27.5	1/2 M 14	UK 210	H 2310 HA 2310 HE 2310 HS 2310	F 210	2.59	5.70

Four - Bolt Holes Flange Unit

Normal Duty



UKF + H Adapter Sleeve Locking

Unit No.	Shaft Dia. Inch / mm d	Dimensions Inch / mm								Bolt Size	Bearing No.	Adapter No.	Housing No.	Weight	
		L	J	A	A1	A2	N	E	S2					kg	lbs
UKF 211 + H 2311 + HA 2311 + HE 2311 + HS 2311	50 mm 1-7/8 1-15/16 2	6-3/8 162	5-1/8 130	1-11/16 43	25/32 20	63/64 25	3/4 19	2-9/64 54.5	1.1220 28.5	5/8 M 16	UK 211	H 2311 HA 2311 HE 2311 HS 2311	F 211	3.46	7.61
UKF 212 + H 2312 + HS 2312	55 mm 2-1/8	6-57/64 175	5-5/8 143	1-57/64 48	25/32 20	1-9/64 29	3/4 19	2-13/32 61	1.2204 31	5/8 M 16	UK 212	H 2312 HS 2312	F 212	4.33	9.53
UKF 213 + H 2313 + HA 2313 + HE 2313 + HS 2313	60 mm 2-3/16 2-1/4 2-3/8	7-23/64 187	5-55/64 149	1-31/32 50	55/64 22	1-3/16 30	3/4 19	2-33/64 64	1.2598 32	5/8 M 16	UK 213	H 2313 HA 2313 HE 2313 HS 2313	F 213	4.90	10.78
UKF 215 + H 2315 + HA 2315 + HE 2315	65 mm 2-7/16 2-1/2	7-7/8 200	6-17/64 159	2-7/32 56	55/64 22	1-11/32 34	3/4 19	2-51/64 71	1.3976 35.5	5/8 M 16	UK 215	H 2315 HA 2315 HE 2315	F 215	7.02	15.44
UKF 216 + H 2316 + HA 2316 + HE 2316	70 mm 2-11/16 2-3/4	8-3/16 208	6-1/2 165	2-9/32 58	55/64 22	1-11/32 34	29/32 23	2-57/64 73.5	1.5354 39	3/4 M 20	UK 216	H 2316 HA 2316 HE 2316	F 216	7.76	17.07
UKF 217 + H 2317 + HA 2317 + HE 2317	75 mm 2-15/16 3	8-21/32 220	6-57/64 175	2-15/32 63	15/16 24	1-27/64 36	29/32 23	3-1/32 77	1.5748 40	3/4 M 20	UK 217	H 2317 HA 2317 HE 2317	F 217	10.08	22.18
UKF 218 + H 2318	80 mm	9-1/4 235	7-23/64 187	2-11/16 68	15/16 24	1-37/64 40	29/32 23	3-13/64 81.5	1.6535 42	3/4 M 20	UK 218	H 2318	F 218	12.44	27.37