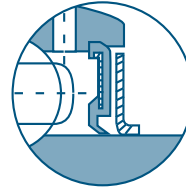
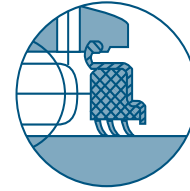


UCX



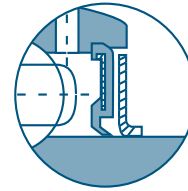
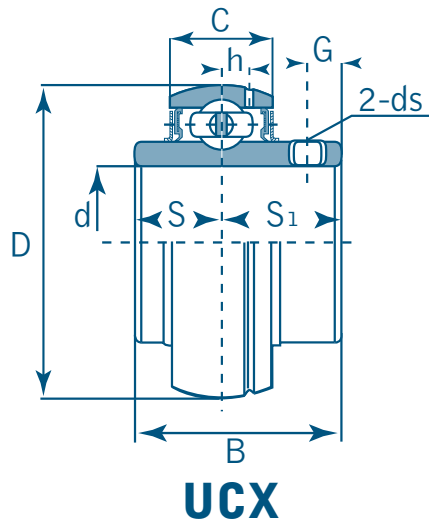
Dual Seal



Triple Seal optional

Unit No.	Shaft Dia. Inch / mm	Dimensions Inch / mm								Basic load rating lbf / N		Weight	
		D	B	C	S	S1	G	h	ds	dynamic	static	kg	lbs
		d											
UCX 05 05-14 05-15 05-16	25 mm 7/8 15/16 1	2.4409 62	1.5000 38.1	0.7480 19	0.626 15.9	0.874 22.2	0.197 5	0.197 5	1/4-28UNF M6x1	4384 19500	2540 11300	0.39 0.42 0.40 0.38	0.85 0.99 0.88 0.83
UCX 06 06-18 06-19 06-20	30 mm 1-1/8 1-3/16 1-1/4	2.8346 72	1.6890 42.9	0.7874 20	0.689 17.5	1.000 25.4	0.276 7	0.224 5.7	5/16-24UNF M8x1	5778 25700	3440 15300	0.58 0.58 0.58 0.55	1.27 1.27 1.27 1.21
UCX 07 07-21 07-22 07-23	35 mm 1-5/16 1-3/8 1-7/16	3.1496 80	1.9370 49.2	0.8268 21	0.748 19	1.189 30.2	0.315 8	0.244 6.2	5/16-24UNF M8x1	6632 29500	4069 18100	0.75 0.75 0.72	1.65 1.65 1.58
UCX 08 08-24 08-25	40 mm 1-1/2 1-9/16	3.3465 85	1.9370 49.2	0.8661 22	0.748 19	1.189 30.2	0.315 8	0.252 6.5	5/16-24UNF M8x1	7104 31600	4631 20600	0.83 0.87 0.87	1.82 1.91 1.91
UCX 09 09-26 09-27 09-28	45 mm 1-5/8 1-11/16 1-3/4	3.5433 90	2.0315 51.6	0.9449 24	0.748 19	1.283 32.6	0.394 10	0.256 6.5	3/8-24UNF M10x1	7868 35000	5216 23200	0.95 1.10 1.01 0.97	2.09 2.42 2.22 2.13
UCX 10 10-30 10-31 10-32	50 mm 1-7/8 1-15/16 2	3.9370 100	2.1890 55.6	0.9843 25	0.874 22.2	1.315 33.4	0.394 10	0.276 7.0	3/8-24UNF M10x1	9779 43500	6564 29200	1.29 1.43 1.32 1.26	2.83 3.14 2.90 2.77
UCX 11 11-35 11-36	55 mm 2-3/16 2-1/4	4.3307 110	2.5630 65.1	1.0630 27	1.000 25.4	1.563 39.7	0.394 10	0.299 7.6	3/8-24UNF M10x1	10723 47700	7396 32900	1.80 1.78 1.70	3.96 3.91 3.74

Medium Duty



Dual Seal



Triple Seal optional

Unit No.	Shaft Dia. Inch / mm	Dimensions Inch / mm								Basic load rating lbf / N		Weight	
		D	B	C	S	S1	G	h	ds	dynamic	static	kg	lbs
UCX 12 12-38 12-39	60 mm 2-3/8 2-7/16	4.7244 120	2.5630 65.1	1.1024 28	1.000 25.4	1.5628 39.7	0.394 10	0.335 8.5	3/8-24UNF M10x1	12927 57500	8992 40000	2.05 2.03 1.95	4.51 4.46 4.29
UCX 13 13-40	65 mm 2-1/2	4.9213 125	2.9370 74.6	1.1417 29	1.189 30.2	1.748 44.4	0.472 12	0.350 8.9	1/2-20 UNF M12x1.5	13668 60800	10116 45000	2.52 2.61	5.54 5.74
UCX 14 14-44	70 mm 2-3/4	5.1181 130	3.0630 77.8	1.1811 30	1.311 33.3	1.752 44.5	0.472 12	0.362 9.2	1/2-20 UNF M12x1.5	14837 66000	11128 49500	2.74 2.75	6.02 6.05
UCX 15 15-47 15-48	75 mm 2-15/16 3	5.5118 140	3.2520 82.6	1.2598 32	1.311 33.3	1.9409 49.3	0.472 12	0.374 9.5	1/2-20 UNF M12x1.5	16074 71500	12185 54200	3.41 3.32	7.50 7.30
UCX 16 16-50	80 mm 3-1/8	5.9055 150	3.3740 85.7	1.3386 34	1.343 34.1	3.031 51.6	0.472 12	0.402 10.2	1/2-20UNF M12x1.5	18772 83500	14523 64600	3.87	8.34
UCX 17 17-52 17-55	85 mm 3-1/4 3-7/16	6.2992 160	3.7795 96	1.4173 36	1.5630 39.7	2.217 56.3	0.472 12	0.441 11.2	1/2-20UNF M12x1.5	21582 96000	16074 71500	5.05 4.58	11.11 10.07
UCX 18 18-56	90 mm 3-1/2	6.6929 170	4.0945 104	1.5354 39	1.689 42.9	2.406 61.1	0.630 16	0.492 12.5	9/16-18UNF M14x1.5	24504 109000	18434 82000	6 6.12	13.20 13.46
UCX 20 20-63 20-64	100 mm 3-15/16 3-1/2	7.4803 190	4.6260 117.5	1.6929 43	1.9370 49.2	2.6890 68.3	0.7087 18	0.5994 13.7	5/8X18UNF M16x1.5	29900 133000	23605 105000	8.56 8.33 8.33	18.83 18.32 18.32