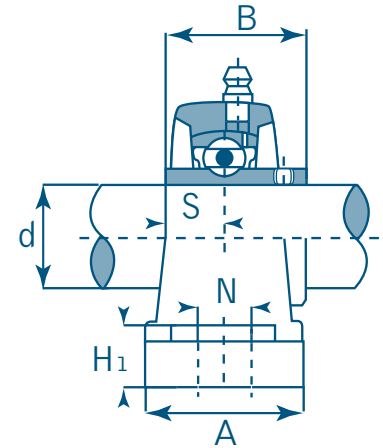
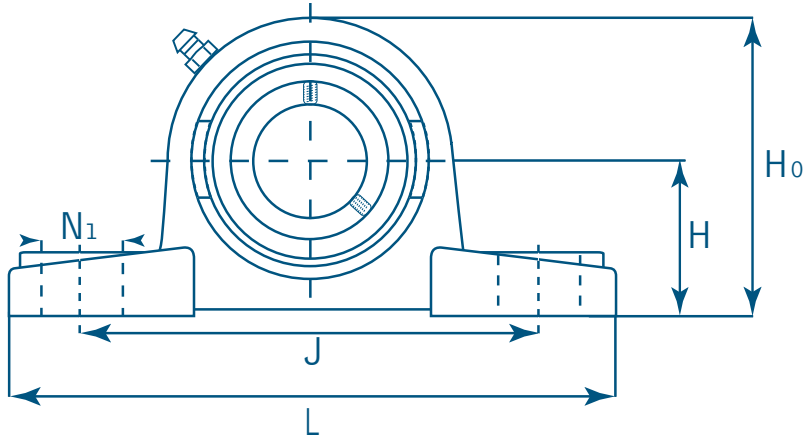


## UCPX

### Set Screw Locking

Unit No.	Shaft Dia. Inch / mm	Dimensions Inch / mm										Bolt Size	Bearing No.	Housing No.	Weight	
		H	H0	H1	L	J	A	N	N1	S	B				kg	lbs
UCPX 05 05-14 05-15 05-16	25 mm 7/8 15/16 1	1-3/4 44.4	3-11/32 85	23/32 18	6-1/4 159	4-11/16 119	2 51	43/64 17	25/32 20	0.6259 15.9	1.500 38.1	1/2 M14	UCX 05 05-14 05-15 05-16	PX 05	1.50	3.30
UCPX 06 06-18 06-19 06-20	30 mm 1-1/8 1-3/16 1-1/4	1-7/8 47.6	3-21/32 93	25/32 20	6-7/8 175	5 127	2-1/4 57	43/64 17	25/32 20	0.6889 17.5	1.6889 42.9	1/2 M14	UCX 06 06-18 06-19 06-20	PX 06	2.00	4.40
UCPX 07 07-21 07-22 07-23	35 mm 1-5/16 1-3/8 1-7/16	2-1/8 54	4-1/8 105	13/16 21	8 203	5-21/32 144	2-1/4 57	43/64 17	25/32 20	0.7480 19	1.6889 49.2	1/2 M14	UCX 07 07-21 07-22 07-23	PX 07	2.60	5.72
UCPX 08 08-24 08-25	40 mm 1-1/2 1-9/16	2-5/16 58.7	4-3/8 111	1-1/32 26	8-3/4 222	6-5/32 156	2-5/8 67	25/32 20	29/32 23	0.7480 19	1.6889 49.2	5/8 M16	UCX 08 08-24 08-25	PX 08	3.30	7.26
UCPX 09 09-26 09-27 09-28	45 mm 1-5/8 1-11/16 1-3/4	2-5/16 58.7	4-9/16 116	1-1/32 26	8-3/4 222	6-5/32 156	2-5/8 67	25/32 20	29/32 23	0.7480 19	2.0979 51.6	5/8 M16	UCX 09 09-26 09-27 09-28	PX 09	3.30	7.26
UCPX 10 10-30 10-31 10-32	50 mm 1-7/8 1-15/16 2	2-1/2 63.5	4-31/32 126	1-1/16 27	9-1/2 241	6-47/64 171	2-7/8 73	25/32 20	29/32 23	0.8740 22.2	2.1889 55.6	5/8 M16	UCX 10 10-30 10-31 10-32	PX 10	4.30	9.46
UCPX 11 11-35 11-36	55 mm 2-3/16 2-1/4	2-3/4 69.8	5-13/32 137	1-3/16 30	10-1/4 260	7-1/4 184	3-1/8 79	31/32 25	1-3/32 28	1.000 25.4	2.5629 65.1	3/4 M20	UCX 11 11-35 11-36	PX 11	5.70	12.54

## Medium Duty



### UCPX Set Screw Locking

Unit No.	Shaft Dia. Inch / mm	Dimensions Inch / mm										Bolt Size	Bearing No.	Housing No.	Weight	
		d	H	H <sub>0</sub>	H <sub>1</sub>	L	J	A	N	N <sub>1</sub>	S				B	kg
UCPX 12 12-38 12-39	60 mm 2-3/8 2-7/16	3 76.2	5-15/16 151	1-5/16 33	11-1/4 286	8 203	3-9/32 83	31/32 25	1-3/32 28	1.000 25.4	2.5629 65.1	3/4 M20	UCX 12 12-38 12-39	PX 12	7.30	16.06
UCPX 13 13-40	65 mm 2-1/2	3 76.2	6-1/16 154	1-5/16 33	11-1/4 286	8 203	3-9/32 83	31/32 25	1-3/32 28	1.1889 30.2	2.9370 74.6	3/4 M20	UCX 13 13-40	PX 13	7.60	16.72
UCPX 14 14-44	70 mm 2-3/4	3-1/2 88.9	6-11/16 170	1-3/8 35	13 330	9-1/32 229	3-1/2 89	1-1/16 27	1-3/16 30	1.3110 33.3	3.0629 77.8	7/8 M22	UCX 14 14-44	PX 14	9.90	21.78
UCPX 15 15-47 15-48	75 mm 2-15/16 3	3-1/2 88.9	6-7/8 175	1-3/8 35	13 330	9-1/32 229	3-1/2 89	1-1/16 27	1-3/16 30	1.3110 33.3	3.2519 82.6	7/8 M22	UCX 15 15-47 15-48	PX 15	11.00	24.20
UCPX 16 16-50	80 mm 3-1/8	4 101.6	7-5/8 194	1-9/16 40	15 381	11-5/32 283	4-1/32 102	1-1/16 27	1-3/16 30	1.3425 34.1	3.3740 85.7	3/4 M22	UCX 16 16-50	PX 16	15.00	33.00
UCPX 17 17-52 17-55	85 mm 3-1/4 3-7/16	4 101.6	7-7/8 200	1-9/16 40	15 381	11-5/32 283	4-1/32 102	1-1/16 27	1-3/16 30	1.5236 38.7	3.7795 96	7/8 M22	UCX 17 17-52 17-55	PX 17	16.00	35.20
UCPX 18 18-56	90 mm 3-1/2	4 101.6	8-7/64 206	1-37/64 40	15 381	11-5/32 283	4-3/8 111	1-1/16 27	1-3/16 30	1.6889 42.9	4.0944 104	7/8 M22	UCX 18 18-56	PX 18	17.00	37.40
UCPX 20 20-63 20-64	100 mm 3-15/16 4	5 127	9-39/64 244	1-25/32 45	17 432	13-9/32 337	4-3/4 121	1-5/16 33	1-27/64 36	1.9370 49.2	4.6259 117.5	1 M27	UCX 20 20-63 20-64	PX 20	30.00	66.00