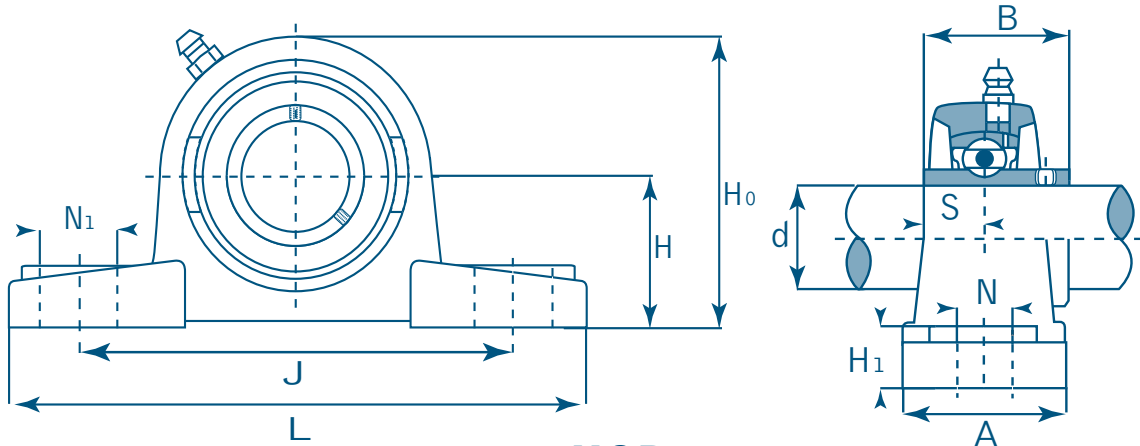


## UCP Set Screw Locking

Unit No.	Shaft Dia. Inch / mm	Dimensions Inch / mm										Bolt Size	Bearing No.	Housing No.	Weight	
		H	H <sub>0</sub>	H <sub>1</sub>	L	J	A	N	N <sub>1</sub>	S	B				kg	lbs
UCP 201 201-8 202 202-9 202-10 203 203-11 204 204-12	12 mm 1/2 15 mm 9/16 5/8 17 mm 11/16 20 mm 3/4	1-5/16 33.3	2-9/16 65	9/16 14	5 127	3-3/4 95	1-1/2 38	1/2 13	3/4 19	0.4921 12.5	1.2204 31	3/8 M10	UC 201 201-8 202 202-9 202-10 203 203-11 204 204-12	P 204	0.66	1.45
UCP 205 205-14 205-15 205-16	25 mm 7/8 15/16 1	1-7/16 36.5	2-25/32 71	19/32 15	5-1/2 140	4-1/8 105	1-1/2 38	1/2 13	3/4 19	0.5629 14.3	1.3425 34.1	3/8 M10	UC 205 205-14 205-15 205-16	P 205	0.85	1.87
UCP 206 206-17 206-18 206-19 206-20	30 mm 1-1/16 1-1/8 1-3/16 1-1/4	1-11/16 42.9	3-5/16 84	21/32 17	6-1/2 165	4-3/4 121	1-7/8 48	43/64 17	25/32 20	0.6259 15.9	1.5 38.1	1/2 M14	UC 206 206-17 206-18 206-19 206-20	P 206	1.27	2.80
UCP 207 207-20 207-21 207-22 207-23	35 mm 1-1/4 1-5/16 1-3/8 1-7/16	1-7/8 47.6	3-21/32 93	45/64 18	6-9/16 167	5 127	1-7/8 48	43/64 17	25/32 20	0.6889 17.5	1.6890 42.9	1/2 M14	UC 207 207-20 207-21 207-22 207-23	P 207	1.60	3.50
UCP 208 208-24 208-25	40 mm 1-1/2 1-9/16	1-15/16 49.2	3-15/16 100	45/64 18	7-1/4 184	5-13/32 137	2-1/8 54	43/64 17	25/32 20	0.7480 19	1.9370 49.2	1/2 M14	UC 208 208-24 208-25	P 208	1.90	4.18
UCP 209 209-26 209-27 209-28	45 mm 1-5/8 1-11/16 1-3/4	2-1/8 54	4-11/64 106	25/32 20	7-15/32 190	5-3/4 146	2-1/8 54	43/64 17	25/32 20	0.7480 19	1.9370 49.2	1/2 M14	UC 209 209-26 209-27 209-28	P 209	2.2	4.9

## Normal Duty



**UCP**  
Set Screw Locking

Unit No.	Shaft Dia. Inch / mm	Dimensions Inch / mm										Bolt Size	Bearing No.	Housing No.	Weight	
		H	H0	H1	L	J	A	N	N1	S	B				kg	lbs
UCP 210 210-30 210-31 210-32	50 mm 1-7/8 1-15/16 2	2-1/4 57.2	4-29/64 113	53/64 21	8-1/8 206	6-1/4 159	2-3/8 60	25/32 20	29/32 23	0.7480 19	2.0315 51.6	5/8 M16	UC 210 210-30 210-31 210-32	P 210	2.75	6.05
UCP 211 211-32 211-34 211-35	55 mm 2 2-1/8 2-3/16	2-1/2 63.5	4-49/64 125	29/32 23	8-5/8 219	6-47/64 171	2-3/8 60	25/32 20	29/32 23	0.8740 22.2	2.1890 55.6	5/8 M16	UC 211 211-32 211-34 211-35	P 211	3.46	7.61
UCP 212 212-36 212-38 212-39	60 mm 2-1/4 2-3/8 2-7/16	2-3/4 69.8	5-7/16 138	63/64 25	9-1/2 241	7-1/4 184	2-3/4 70	25/32 20	29/32 23	1.000 25.4	2.5630 65.1	5/8 M16	UC 212 212-36 212-38 212-39	P 212	5.00	11.00
UCP 213 213-40	65 mm 2-1/2	3 76.2	5-29/32 150	1-1/16 27	10-7/16 265	8 203	2-3/4 70	63/64 25	1-3/32 28	1.000 25.4	2.5630 65.1	3/4 M20	UC 213 213-40	P 213	5.24	11.53
UCP 214 214-43 214-44	70 mm 2-11/16 2-3/4	3-1/8 79.4	6-9/64 156	1-1/16 27	10-15/32 266	8-17/64 210	2-27/32 72	63/64 25	1-3/32 28	1.1889 30.2	2.9370 74.6	3/4 M20	UC 214 214-43 214-44	P 214	6.41	14.10
UCP 215 215-47 215-48	75 mm 2-15/16 3	3-1/4 82.6	6-3/8 162	1-3/32 28	10-53/64 275	8-35/64 217	2-29/32 74	63/64 25	1-3/32 28	1.3110 33.3	3.0630 77.8	3/4 M20	UC 215 215-47 215-48	P 215	7.40	16.00
UCP 216 216-50	80 mm 3-1/8	3-1/2 88.9	6-27/32 174	1-3/8 30	11-1/2 292	9-1/8 232	3-1/16 78	63/64 25	1-3/32 28	1.3110 33.3	3.2520 82.6	3/4 M20	UC 216 216-50	P 216	8.28	18.20
UCP 217 217-52 217-55	85 mm 3-1/4 3-7/16	3-3/4 95.2	7-9/32 185	1-1/4 32	12-13/64 310	9-23/32 247	3-17/64 83	63/64 25	1-3/32 28	1.3425 34.1	3.3740 85.7	3/4 M20	UC 217 217-52 217-55	P 217	10.03	22.07
UCP 218 218-56	90 mm 3-1/2	4 101.6	7-51/64 198	1-19/64 33	12-7/8 327	10-5/16 262	3-15/32 88	1-1/16 27	1-3/16 30	1.5629 39.7	3.7795 96	7/8 M22	UC 218 218-56	P 218	12.07	26.55