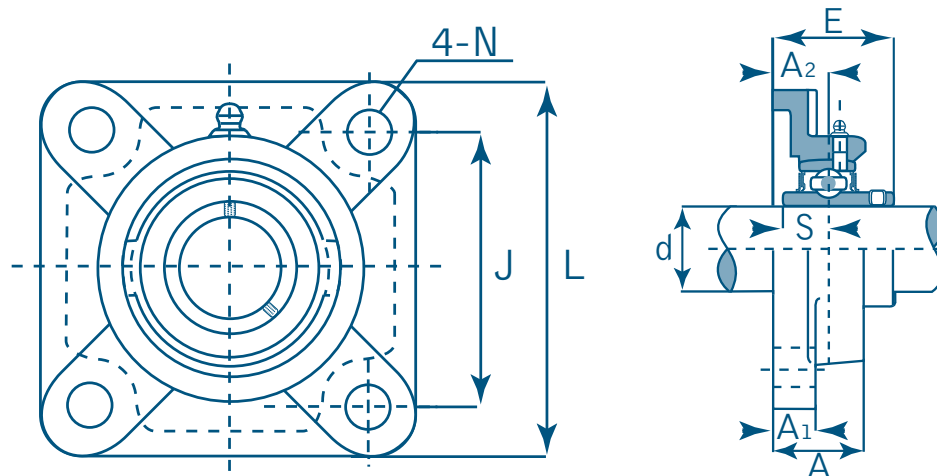


UCFX
Set Screw Locking

Unit No.	Shaft Dia. Inch / mm d	Dimensions Inch / mm								Bolt Size	Bearing No.	Housing No.	Weight	
		L	J	A	A1	A2	N	E	S				kg	lbs
UCFX 05 05-14 05-15 05-16	25 mm 7/8 15/16 1	4-1/4 108	3-17/64 83	1-3/16 30	1/2 13	45/64 18	15/32 12	1-19/32 40.2	0.6259 15.9	3/8 M10	UCX 05 05-14 05-15 05-16	FX 05	1.00	2.20
UCFX 06 06-18 06-19 06-20	30 mm 1-1/8 1-3/16 1-1/4	4-39/64 117	3-5/8 92	1-11/32 34	9/16 14	3/4 19	5/8 16	1-3/4 44.4	0.6889 17.5	1/2 M14	UCX 06 06-18 06-19 06-20	FX 06	1.70	3.74
UCFX 07 07-21 07-22 07-23	35 mm 1-5/16 1-3/8 1-7/16	5-1/8 130	4-1/64 102	1-1/2 38	9/16 14	53/64 21	5/8 16	2-1/64 51.2	0.7480 19	1/2 M 14	UCX 07 07-21 07-22 07-23	FX 07	2.10	4.62
UCFX 08 08-24 08-25	40 mm 1-1/2 1-9/16	5-13/32 137	4-9/64 105	1-9/16 40	9/16 14	55/64 22	3/4 19	2-1/64 52.2	0.7480 19	5/8 M 16	UCX 08 08-24 08-25	FX 08	2.40	5.28
UCFX 09 09-26 09-27 09-28	45 mm 1-5/8 1-11/16 1-3/4	5-5/8 143	4-3/8 111	1-9/16 40	9/16 14	29/32 23	3/4 19	2-3/16 55.6	0.7480 19	5/8 M 16	UCX 09 09-26 09-27 09-28	FX 09	2.50	5.50
UCFX 10 10-30 10-31 10-32	50 mm 1-7/8 1-15/16 2	6-3/8 162	5-1/8 130	1-23/32 44	25/32 20	1-1/32 26	3/4 19	2-11/32 59.4	0.8740 22.2	5/8 M 16	UCX 10 10-30 10-31 10-32	FX 10	3.90	8.58

Four - Bolt Holes Flange Unit

Medium Duty



UCFX
Set Screw Locking

Unit No.	Shaft Dia. Inch / mm d	Dimensions Inch / mm								Bolt Size	Bearing No.	Housing No.	Weight	
		L	J	A	A1	A2	N	E	S				kg	lbs
UCFX 11 11-35 11-36	55 mm 2-3/16 2-1/4	6-57/64 175	5-5/8 143	1-15/16 49	25/32 20	1-9/64 29	3/4 19	2-45/64 68.7	1.000 25.4	5/8 M 16	UCX 11 11-35 11-36	FX 11	4.90	10.78
UCFX 12 12-38 12-39	60 mm 2-3/8 2-7/16	7-23/64 187	5-55/64 149	2-5/16 59	13/16 21	1-11/32 34	3/4 19	2-29/32 73.7	1.000 25.4	5/8 M 16	UCX 12 12-38 12-39	FX 12	5.20	11.44
UCFX 13 13-40	65 mm 2-1/2	7-23/64 187	5-55/64 149	2-5/16 59	13/16 21	1-11/32 34	3/4 19	3-3/32 78.4	1.1889 30.2	5/8 M 16	UCX 13 13-40	FX 13	5.30	11.66
UCFX 14 14-44	70 mm 2-3/4	7-3/4 197	5-63/64 152	2-3/8 60	15/16 24	1-29/64 37	29/32 23	3-13/64 81.5	1.3110 33.3	3/4 M 20	UCX 14 14-44	FX 14	7.30	16.06
UCFX 15 15-47 15-48	75 mm 2-15/16 3	7-3/4 197	5-63/64 152	2-11/16 68	15/16 24	1-37/64 40	29/32 23	3-33/64 89.3	1.3110 33.3	3/4 M 20	UCX 15 15-47 15-48	FX 15	8.10	17.82
UCFX 16 16-50	80 mm 3-1/8	8-7/16 214	6-47/64 171	2-3/4 70	15/16 24	1-37/64 40	29/32 23	3-39/64 91.6	1.3425 34.1	3/4 M 20	UCX 16 16-50	FX 16	9.90	21.78
UCFX 17 17-52 17-55	85 mm 3-1/4 3-7/16	8-7/16 214	6-47/64 171	2-3/4 70	15/16 24	1-37/64 40	29/32 23	3-25/32 96.3	1.5629 39.7	3/4 M 20	UCX 17 17-52 17-55	FX 17	11.00	24.20
UCFX 18 18-56	90 mm 3-1/2	8-7/16 214	6-47/64 171	3 76	15/16 24	1-49/64 45	29/32 23	4-3/16 106.1	1.6889 42.9	3/4 M 20	UCX 18 18-56	FX 18	11.00	24.20
UCFX 20 20-63 20-64	100 mm 3-15/16 4	10-9/16 268	8-5/16 211	3-13/16 97	1-7/32 31	2-21/64 59	1-7/32 31	5-1/64 127.3	1.6889 42.9	1 M 27	UCX 20 20-63 20-64	FX 20	17.00	28.71