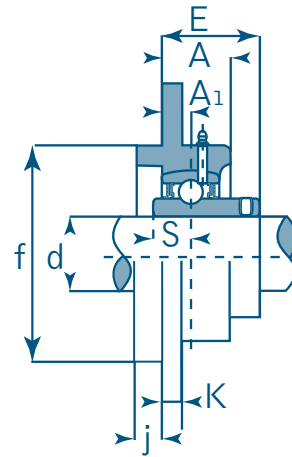
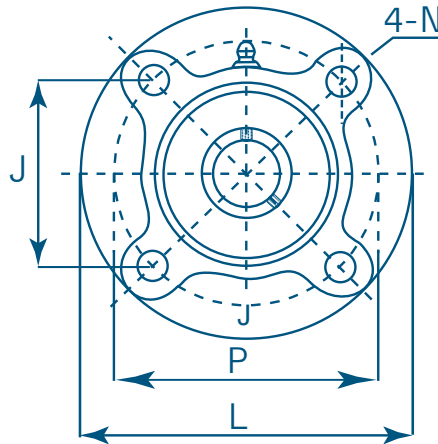


UCFC Set Screw Locking

Unit No.	Shaft Dia. inch / mm	Dimensions inch / mm											Bolt Size inch / mm	Bearing No.	Housing No.	Weight	
		L	P	J	j	A	A1	N	K	f	E	S				kg	lbs
UCFC 201 201-8 202 202-10 203 203-11 204 204-12	12 mm 1/2 15 mm 5/8 17 mm 11/16 20 mm 3/4	3-15/16 100	3-5/64 78	2-11/64 55.1	13/64 5	13/16 20.5	13/32 10	15/32 12	15/64 6	2.4409 62	1.115 28.3	0.500 12.7	3/8 M10	UC 201 201-8 202 202-10 203 203-11 204 204-12	FC 204	0.73 0.72 0.72 0.72 0.71 0.70 0.69 0.69	1.61 1.58 1.58 1.58 1.56 1.56 1.52 1.52
UCFC 205 205-14 205-15 205-16	25 mm 7/8 15/16 1	4-17/32 115	3-35/64 90	2-1/2 63.6	15/64 6	56/64 21	13/32 10	15/32 12	9/32 7	2.7559 70	1.169 29.7	0.5629 14.3	3/8 M10	UC 205 205-14 205-15 205-16	FC 205	1.00 1.03 1.01 1.00	2.20 2.27 2.22 2.20
UCFC 206 206-18 206-19 206-20	30 mm 1-1/8 1-3/16 1-1/4	4-29/32 125	3-15/16 100	2-25/32 70.7	5/16 8	29/32 23	13/32 10	15/32 12	5/16 8	3.1496 80	1.268 32.2	0.6259 15.9	3/8 M10	UC 206 206-18 206-19 206-20	FC 206	1.30 1.32 1.30 1.29	2.86 2.90 2.86 2.84
UCFC 207 207-20 207-21 207-22 207-23	35 mm 1-1/4 1-5/16 1-3/8 1-7/16	5-5/16 135	4-21/64 110	3-1/16 77.8	5/16 8	1-1/32 26	7/16 11	35/64 14	23/64 9	3.5433 90	1.433 36.4	0.6889 17.5	7/16 M12	UC 207 207-20 207-21 207-22 207-23	FC 207	1.81 1.87 1.87 1.81 1.78	3.98 4.11 4.11 3.98 3.92
UCFC 208 208-24 208-25	40 mm 1-1/2 1-9/16	5-23/32 145	4-23/32 120	3-11/32 84.8	25/64 10	1-1/32 26	7/16 11	35/64 14	23/64 9	3.9370 100	1.622 41.2	0.7480 19	7/16 M12	UC 208 208-24 208-25	FC 208	2.14 2.18 2.15	4.71 4.80 4.73
UCFC 209 209-26 209-27 209-28	45 mm 1-5/8 1-11/16 1-3/4	6-5/16 160	5-13/64 132	3-43/64 93.3	15/32 12	1-1/32 26	25/64 10	5/8 16	25/64 10	4.1339 105	1.622 41.2	0.7480 19	1/2 M14	UC 209 209-26 209-27 209-28	FC 209	2.68 2.78 2.74 2.70	5.90 6.12 6.03 5.94

Round Flange Cartridge Unit

Normal Duty



UCFC Set Screw Locking

Unit No.	Shaft Dia. inch / mm	Dimensions inch / mm											Bolt Size inch / mm	Bearing No.	Housing No.	Weight	
		L	P	J	j	A	A ₁	N	K	f	E	S				kg	lbs
UCFC 210 210-30 210-31 210-32	50 mm 1-7/8 1-15/16 2	6-1/2 165	5-7/16 138	3-27/32 97.6	15/32 12	1-7/64 28	25/64 10	5/8 16	9/16 14	4.3307 110	1.667 42.6	0.7480 19	1/2 M14	UC 210 210-30 210-31 210-32	FC 210	2.90 2.97 2.92 2.88	6.38 6.53 6.42 6.34
UCFC 211 211-32 211-34 211-35	55 mm 2 2-1/8 2-3/16	7-9/32 185	5-29/32 150	4-3/16 106.1	15/32 12	1-3/16 30	1/2 13	3/4 19	19/32 15	4.9213 125	1.827 46.4	0.8740 22.2	5/8 M16	UC 211 211-32 211-34 211-35	FC 211	4.01 4.16 4.05 3.99	8.82 9.15 8.91 8.78
UCFC 212 212-36 212-38 212-39	60 mm 2-1/4 2-3/8 2-7/16	7-11/16 195	6-19/64 160	4-29/64 113.1	15/32 12	1-13/32 36	43/64 17	3/4 19	19/32 15	5.3150 135	2.322 56.7	1.000 25.4	5/8 M16	UC 212 212-36 212-38 212-39	FC 212	4.94 5.07 4.92 4.85	10.87 11.15 10.82 10.67
UCFC 213 213-40	65 mm 2-1/2	8-1/16 205	6-11/16 170	4-47/64 120.2	35/64 14	1-13/32 36	5/8 16	3/4 19	19/32 15	5.5118 145	1.193 55.7	1.000 25.4	5/8 M16	UC 213 213-40	FC 213	5.65 5.74	1243 12.63
UCFC 214 214-43 214-44	70 mm 2-11/16 2-3/4	8-15/32 215	6-31/32 177	4-59/64 125.1	35/64 14	1-37/64 40	21/32 17	3/4 19	23/32 18	5.9055 150	2.417 61.4	1.1889 30.2	5/8 M16	UC 214 214-43 214-44	FC 214	6.95 7.16 6.96	15.29 15.75 15.31
UCFC 215 215-47 215-48	75 mm 2-15/16 3	8-21/32 220	7-1/4 184	5-1/8 130.1	5/8 16	1-37/64 40	23/32 18	3/4 19	23/32 18	6.2992 160	2.461 62.5	1.3110 33.3	5/8 M16	UC 215 215-47 215-48	FC 215	7.56 7.59 7.47	16.63 16.70 16.43
UCFC 216 216-50	80 mm 3-1/8	9-7/16 240	7-7/8 200	5-9/16 141.4	5/8 16	1-21/32 42	23/32 18	29/32 23	23/32 18	6.6929 170	2.650 67.3	1.3110 33.3	3/4 M20	UC 216 216-50	FC 216	9.15 9.20	20.13 20.24
UCFC 217 217-52 217-55	85 mm 3-1/4 3-7/16	9-27/32 250	8-3/16 208	5-51/64 147.1	23/32 18	1-25/32 45	23/32 18	29/32 23	25/32 20	7.0866 180	2.740 69.6	1.3425 34.1	3/4 M20	UC 217 217-52 217-55	FC 217	10.81 11.03 10.60	23.78 24.27 23.32
UCFC 218 218-56	90 mm 3-1/2	10-7/16 265	8-21/32 220	6-1/8 155.5	23/32 18	1-31/32 50	7/8 22	29/32 23	25/32 20	7.4803 190	3.083 78.3	1.5629 39.7	3/4 M20	UC 218 218-56	FC 218	12.96 13.17	28.51 28.97