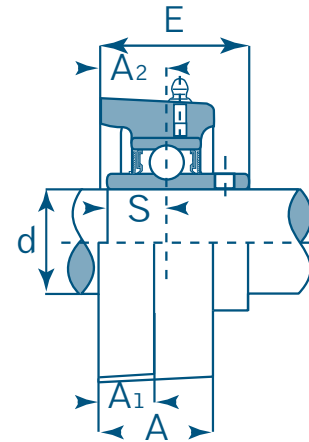
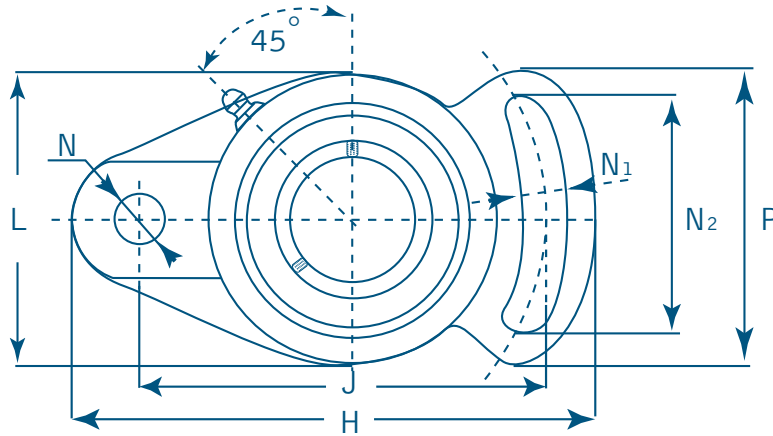


Adjustable Flange Unit

GRB

Normal Duty



UCFA Set Screw Locking

Unit No.	Shaft Dia. Inch / mm	Dimensions Inch / mm												Bolt Size	Bearing No.	Housing No.	Weight			
		H	J	L	P	A	A1	A2	N	N1	N2	E	S				kg	lbs		
UCFA 201 201-8 202 202-10 203 203-11 204 204-12	12 mm																UC 201 201-8 202 202-10 203 203-11 204 204-12	FA 204	0.50	1.10
	1/2					1	15/32	19/32	25/64	25/64	1-9/16	1.3110	0.500	5/16	0.49	1.08				
	15 mm	3-27/32	3-5/64	2-3/8	1-31/32	25.4	12	15	10	10	40	33.3	12.7	M 8	0.49	1.08				
	5/8	98	78	60	50											0.49			1.08	
	17 mm																		0.48	1.06
	11/16																		0.46	1.01
	20 mm																		0.46	1.01
3/4																				
UCFA 205 205-14 205-15 205-16	25 mm																UC 205 205-14 205-15 205-16	FA 205	0.66	1.45
	7/8	4-7/8	3-55/64	2-3/4	2-9/16	1-1/16	35/64	5/8	33/64	33/64	1-59/64	1.4094	0.5629	3/8	0.69	1.52				
	15/16	124	98	70	65	27	14	16	13	13	49	35.8	14.3	M 10	0.67	1.47				
	1															0.66			1.45	
UCFA 206 206-18 206-19 206-20	30 mm																UC 206 206-18 206-19 206-20	FA 206	0.93	2.05
	1-1/8	5-9/16	4-17/32	3-9/32	2-27/32	1-7/32	35/64	45/64	33/64	33/64	2-13/64	1.5826	0.6259	3/8	0.95	2.09				
	1-3/16	141	115	83	72	31	14	18	13	13	56	40.2	15.9	M 10	0.93	2.05				
	1-1/4															0.92			2.02	
UCFA 207 207-20 207-21 207-22 207-23	35 mm																UC 207 207-20 207-21 207-22 207-23	FA 207	1.46	3.21
	1-1/4	6-3/32	5-3/64	3-25/32	3-7/32	1-11/32	5/8	3/4	19/32	19/32	2-9/16	1.7480	0.6889	7/16	1.52	3.34				
	1-5/16	155	128	96	82	34	16	19	15	15	65	44.4	17.5	M 12	1.49	3.28				
	1-3/8															1.46			3.21	
	1-7/16															1.43			3.15	
UCFA 208 208-24 208-25	40 mm																UC 208 208-24 208-25	FA 208	1.78	3.92
	1-1/2	6-23/32	5-19/32	4-1/8	3-15/32	1-1/2	5/8	53/64	19/32	19/32	2-45/64	2.0157	0.7480	7/16	1.82	4.00				
	1-9/16	171	142	105	87	38	16	21	15	15	69	51.2	19	M 12	1.79	3.94				
UCFA 209 209-26 209-27 209-28	45 mm																UC 209 209-26 209-27 209-28	FA 209	2.03	4.47
	1-5/8	7-1/16	5-3/4	4-3/8	3-17/32	1-37/64	45/64	55/64	43/64	43/64	2-3/4	2.0551	0.7480	1/2	2.13	4.69				
	1-11/16	179	146	111	90	40	18	22	17	17	70	52	19	M 14	2.09	4.60				
	1-3/4															2.05			4.51	
UCFA 210 210-30 210-31 210-32	50 mm																UC 210 210-30 210-31 210-32	FA 210	2.23	4.91
	1-7/8	7-7/16	6-7/64	4-9/16	3-1/16	1-37/64	45/64	55/64	43/64	43/64	2-61/64	2.1496	0.7480	1/2	2.30	5.06				
	1-15/16	189	155	116	94	40	18	22	17	17	75	54.6	19	M 14	2.25	4.95				
	2															2.21			4.86	