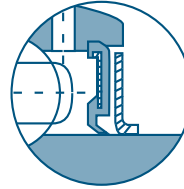
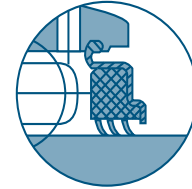


SER



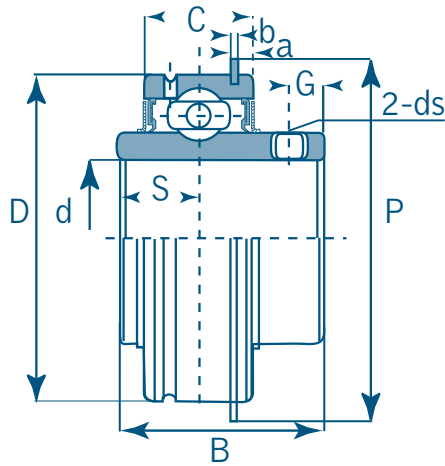
Dual Seal



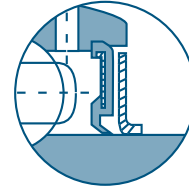
Triple Seal optional

| Unit No. | Shaft Dia. Inch / mm | Dimensions Inch / mm | | | | | | | | | Basic load rating lbf / N | | Mass | |
|---|--|----------------------|----------------|----------------|--------------|----------------|---------------|----------------|---------------|-------------------------|------------------------------|---------------|--|--|
| | | D | B | b | C | S | a | P | G | ds | dynamic | static | kg | lbs |
| SER 201 201-8 202 202-10 203 203-11 204 204-12 | 12 mm 1/2 15 mm 5/8 17 mm 11/16 20 mm 3/4 | 1.8504 47 | 1.2205 31 | 0.0421 1.07 | 0.6300 16 | 0.500 12.7 | 0.0945 2.4 | 2.0748 52.7 | 0.185 4.7 | 1/4-28UNF M 6 x 0.75 | 2886 12840 | 1495 6650 | 0.27 0.27 0.25 0.24 0.23 0.23 0.20 0.22 | 0.59 0.59 0.55 0.53 0.51 0.51 0.48 0.48 |
| SER 205 205-14 205-15 205-16 | 25 mm 7/8 15/16 1 | 2.0472 52 | 1.3425 34.1 | 0.0421 1.07 | 0.7480 19 | 0.5629 14.3 | 0.0944 2.4 | 2.2795 57.9 | 0.2165 5.5 | 1/4-28UNF M 6 x 0.75 | 3152 14020 | 1771 7880 | 0.21 0.23 0.22 0.20 | 0.46 0.51 0.48 0.44 |
| SER 206 206-18 206-19 206-20 | 30 mm 1-1/8 1-3/16 1-1/4 | 2.4409 62 | 1.5000 38.1 | 0.0649 1.65 | 0.8661 22 | 0.6260 15.9 | 0.1260 3.2 | 2.6654 67.7 | 0.2165 5.5 | 1/4-28UNF M 6 x 0.75 | 4375 19460 | 2542 11310 | 0.35 0.37 0.35 0.35 | 0.77 0.81 0.77 0.77 |
| SER 207 207-20 207-21 207-22 207-23 | 35 mm 1-1/4 1-5/16 1-3/8 1-7/16 | 2.8346 72 | 1.6890 42.9 | 0.0649 1.65 | 0.9449 24 | 0.6890 17.5 | 0.1260 3.2 | 3.0906 78.4 | 0.2559 6.5 | 5/16-24UNF M 8 x 1 | 5771 25670 | 3439 15300 | 0.51 0.56 0.54 0.52 0.48 | 1.12 1.23 1.19 1.14 1.06 |
| SER 208 208-24 208-25 | 40 mm 1-1/2 1-9/16 | 3.1496 80 | 1.9370 49.2 | 0.0649 1.65 | 1.1024 28 | 0.748 19 | 0.1260 3.2 | 3.4094 86.6 | 0.3150 8 | 5/16-24UNF M 8 x 1 | 6636 29520 | 4078 18140 | 0.68 0.72 0.68 | 1.50 1.58 1.50 |

Normal Duty



SER



Dual Seal



Triple Seal optional

| Unit No. | Shaft Dia. Inch / mm | Dimensions Inch / mm | | | | | | | | | Basic load rating lbf / N | | Mass | |
|---------------------------------------|------------------------------------|----------------------|----------------|----------------|----------------|----------------|---------------|-----------------|----------------|--------------------------|------------------------------|----------------|------------------------------|------------------------------|
| | | d | D | B | b | C | S | a | P | G | ds | dynamic | static | kg |
| SER 209 209-26 209-27 209-28 | 45 mm 1-5/8 1-11/16 1-3/4 | 3.3465 85 | 1.9370 49.2 | 0.0650 1.65 | 1.1024 28 | 0.748 19 | 0.1260 3.2 | 3.6063 91.6 | 0.3150 8 | 5/16-24UNF M 8 x 1 | 7119 31670 | 4649 20680 | 0.90 0.81 0.82 0.80 | 1.98 1.78 1.80 1.76 |
| SER 210 210-30 210-31 210-32 | 50 mm 1-7/8 1-15/16 2 | 3.5433 90 | 2.0315 51.6 | 0.0949 2.41 | 1.1024 28 | 0.7480 19 | 0.1260 3.2 | 3.7992 96.5 | 0.3543 9 | 3/8-24UNF M 10 x 1.25 | 7884 35070 | 5211 23180 | 0.86 0.92 0.87 0.85 | 1.89 2.02 1.91 1.87 |
| SER 211 211-32 211-34 211-35 | 55 mm 2 2-1/8 2-3/16 | 3.9370 100 | 2.1890 55.6 | 0.0949 2.41 | 1.1811 30 | 0.8740 22.2 | 0.1260 3.2 | 4.1929 106.5 | 0.3543 9 | 3/8-24UNF M 10 x 1.25 | 9752 43380 | 6569 29222 | 1.15 1.28 1.18 1.12 | 2.53 2.82 2.60 2.46 |
| SER 212 212-36 212-38 212-39 | 60 mm 2-1/4 2-3/8 2-7/16 | 4.3307 110 | 2.5630 65.1 | 0.0949 2.41 | 1.2598 32 | 1.000 25.4 | 0.1260 3.2 | 4.5960 116.6 | 0.4134 10.5 | 3/8-24UNF M 10 x 1.25 | 10736 47760 | 7403 32930 | 1.58 1.70 1.56 1.48 | 3.48 3.74 3.56 3.26 |
| SER 214 214-43 214-44 | 70 mm 2-11/16 2-3/4 | 4.9213 125 | 2.7520 69.9 | 0.1091 2.77 | 1.3780 35 | 1.0630 27 | 0.1575 4 | 5.2165 132.5 | 0.4724 12 | 7/16-20UNF M 12 x 1.5 | 13675 60830 | 10123 45030 | 2.52 | 5.54 |
| SER 215 215-47 215-48 | 75 mm 2-15/16 3 | 5.1181 130 | 3.0630 77.8 | 0.1091 2.77 | 1.4961 38.0 | 1.3110 33.3 | 0.1575 4 | 5.5000 139.7 | 0.4724 12 | 7/16-20UNF M 12 x 1.5 | 14862 66110 | 11128 49500 | 2.89 | 6.35 |
| SER 217 217-55 | 85 mm 3-7/16 | 5.9055 150 | 3.374 85.7 | 0.1091 2.77 | 1.937 49.2 | 1.3425 34.1 | 0.1900 4.9 | 6.2900 159.7 | 0.5512 14 | 7/16-20 M 12 x 1.5 | 17680 78648 | 11600 51601 | 3.30 | 7.26 |