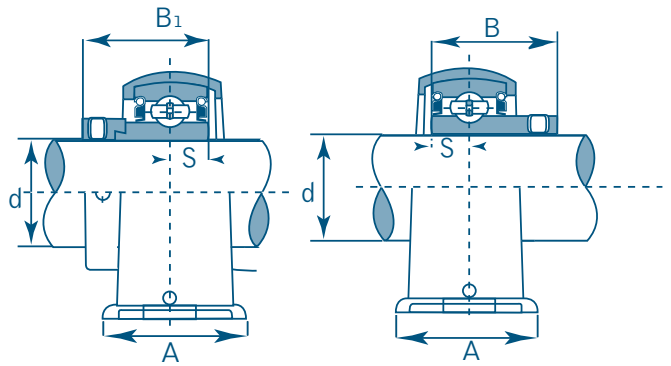
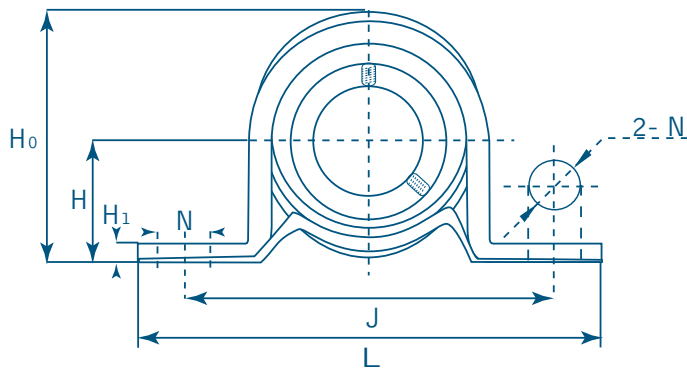


Light Duty



SAPP

Eccentric Locking Collar

SBPP

Set Screw Locking

Unit No. SAPP SBPP	Shaft Dia. Inch / mm d	Dimensions Inch / mm							Bolt Size	SAPP		SBPP		Bearing No. SA / SB	Housing No.	Weight	
		H	L	J	A	N	H ₁	H ₀		B ₁	S	B	S			kg	lbs
201 201-8 202 202-10 203 203-11	12 mm 1/2 15 mm 5/8 17 mm 11/16	7/8 22.2	3-3/8 86	2-43/64 68	63/64 25	3/8 9.5	1/8 3.2	1- 23/32 43.8	5/16 M8	1.1259 28.6	0.2559 6.5	0.8661 22	0.2362 6	201 201-8 202 202-10 203 203-11	PP 203	0.19	0.42
204 204-12	20 mm 3/4	1 25.4	3- 27/32 98	2-63/64 76	1-1/4 32	3/8 9.5	1/8 3.2	1- 63/64 50.5	5/16 M8	1.2204 31	0.2952 7.5	0.9842 25	0.2755 7	204 204-12	PP 204	0.23	0.51
205 205-14 205-15 205-16	25 mm 7/8 15/16 1	1-1/8 28.6	4-1/4 108	3-25/64 86	1-1/4 32	29/64 11.5	5/32 4	2- 15/64 56.6	5/16 M8	1.2204 31	0.2952 7.5	1.0629 27	0.2952 7.5	205 205-14 205-15 205-16	PP 205	0.32	0.71
206 206-18 206-19 206-20	30 mm 1-1/8 1-3/16 1-1/4	1-5/16 33.3	4- 39/64 117	3-47/64 95	1-1/2 38	29/64 11.5	5/32 4	2- 39/64 66.3	5/16 M8	1.4055 35.7	0.3543 9	1.1811 30	0.3149 8	206 206-18 206-19 206-20	PP 206	0.50	1.10
207 207-20 207-21 207-22 207-23	35 mm 1-1/4 1-5/16 1-3/8 1-7/16	1-9/16 39.7	5-5/64 129	4-5/32 106	1-21/32 42	29/64 11.5	3/16 4.6	3-1/8 78	5/16 M8	1.5314 38.9	0.3740 9.5	1.2598 32	0.3346 8.5	207 207-20 207-21 207-22 207-23	PP 207	0.71	1.56