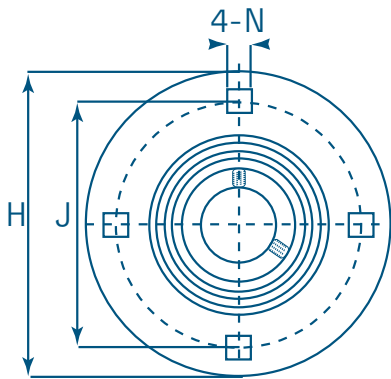


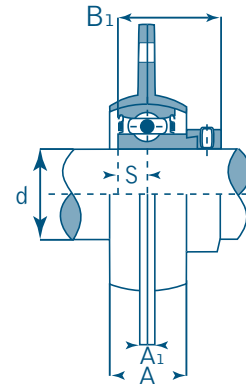
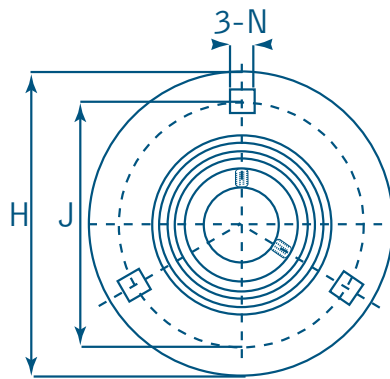
Pressed Steel Unit



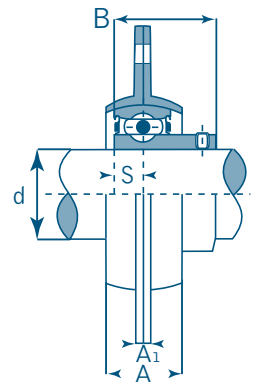
Light Duty



***PF208**



SAPF
Eccentric Locking Collar



SBPF
Set Screw Locking

Unit No. SAPF SBPF	Shaft Dia. inch / mm d	Dimensions inch / mm					SAPF		SBPF		Bearing No. SA / SB	Housing No.	Weight	
		H	J	A	A1	N	B1	S	B	S			kg	lbs
201 201-8 202 202-10 203 203-11	12 mm 1/2 15 mm 5/8 17 mm 11/16	3-3/16 81	2-1/2 63.5	9/16 14	5/32 4	9/32 7.1	1.1259 28.6	0.2559 6.5	0.8661 22	0.2362 6	201 201-8 202 202-10 203 203-11	PF 203	0.22	0.48
204 204-12	20 mm 3/4	3-35/64 90	2-13/16 71.5	5/8 16	5/32 4	23/64 9	1.2204 31	0.2952 7.5	0.9842 25	0.2755 7	204 204-12	PF 204	0.33	0.73
205 205-14 205-15 205-16	25 mm 7/8 15/16 1	3-3/4 95	2-63/64 76	23/32 18	5/32 4	23/64 9	1.2204 31	0.2952 7.5	1.0826 27	0.2952 7.5	205 205-14 205-15 205-16	PF 205	0.38	0.84
206 206-18 206-19 206-20	30 mm 1-1/8 1-3/16 1-1/4	4-7/16 113	3-9/16 90.5	23/32 18	13/64 5.2	7/16 11	1.4055 35.7	0.3543 9	1.1811 30	0.3149 8	206 206-18 206-19 206-20	PF 206	0.62	1.36
207 207-20 207-21 207-22 207-23	35 mm 1-1/4 1-5/16 1-3/8 1-7/16	4-13/16 122	3-15/16 100	25/32 20	13/64 5.2	7/16 11	1.5314 38.9	0.3740 9.5	1.2598 32	0.3346 8.5	207 207-20 207-21 207-22 207-23	PF 207	0.82	1.80
*208 *208-24 *208-25	40 mm 1-1/2 1-9/16	5-13/16 148	4-11/16 119	13/16 21	17/64 6.8	17/32 13.5	1.7204 43.7	0.4330 11	1.3385 34	0.3543 9	208 208-24 208-25	PF 208*	1.10	2.42

* PF 208 (four holes flange)