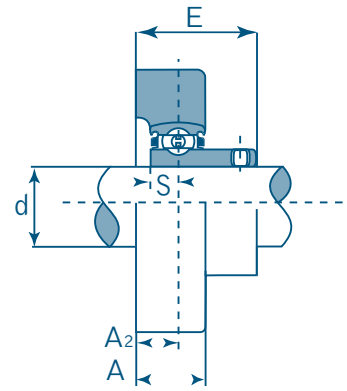
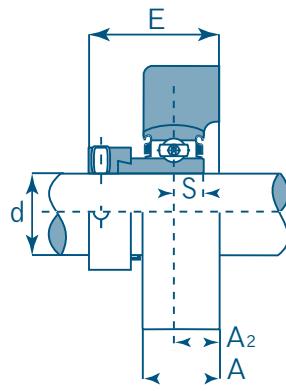
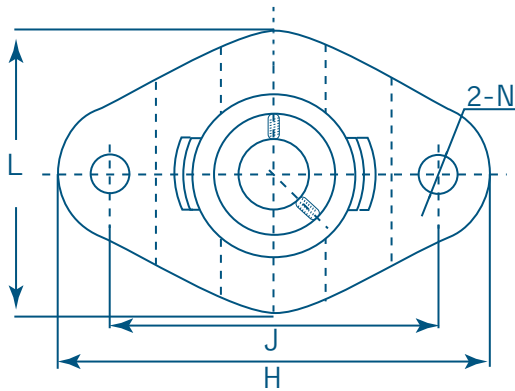


Two - Bolt Holes Flange Unit

GRB

Light Duty



SAFD

Eccentric Locking Collar

SBFD

Set Screw Locking

Unit No. SAFD SBFD	Shaft Dia. Inch / mm d	Dimensions Inch / mm						SAFD		SBFD		Bolt Size	Bearing No. SA / SB	Housing No.	Weight	
		H	J	A	A2	N	L	S	E	S	E				kg	lbs
201 201-8 202 202-10 203 203-11	12 mm 1/2 15 mm 5/8 17 mm 11/16	3-3/16 81	2-15/32 63	19/32 15	11/32 8.5	9/32 7	2-5/16 59	0.2559 6.5	1.2047 30.6	0.2362 6	0.945 24	1/4 M6	201 201-8 202 202-10 203 203-11	FD 203	0.30	0.66
204 204-12	20 mm 3/4	3-17/32 90	2-25/32 71	21/32 17	3/8 9.5	13/32 10	2-5/8 67	0.2952 7.5	1.2992 33	0.2755 7	1.083 27.5	5/16 M8	204 204-12	FD 204	0.50	1.10
205 205-14 205-15 205-16	25 mm 7/8 15/16 1	3-3/4 95	2-63/64 76	21/32 17	3/8 9.5	13/32 10	2-25/32 71	0.2952 7.5	1.2992 33	0.2952 7.5	1.142 29	5/16 M8	205 205-14 205-15 205-16	FD 205	0.50	1.10
206 206-18 206-19 206-20	30 mm 1-1/8 1-3/16 1-1/4	4-7/16 113	3-17/32 90	13/16 21	15/32 12	15/32 12	3-5/16 84	0.3543 9	1.5236 38.7	0.3149 8	1.339 34	3/8 M10	206 206-18 206-19 206-20	FD 206	0.80	1.76
207 207-20 207-21 207-22 207-23	35 mm 1-1/4 1-5/16 1-3/8 1-7/16	4-29/32 125	3-15/16 100	7/8 22	1/2 12.5	15/32 12	3-11/16 94	0.3740 9.5	1.6496 41.9	0.3346 8.5	1.417 36	3/8 M10	207 207-20 207-21 207-22 207-23	FD 207	1.00	2.20

The filling slots on these units are at the front. The inserts can be greased only when reversed.
Add (G)suffix for regreasable. (ex. SAFD 205-16G)