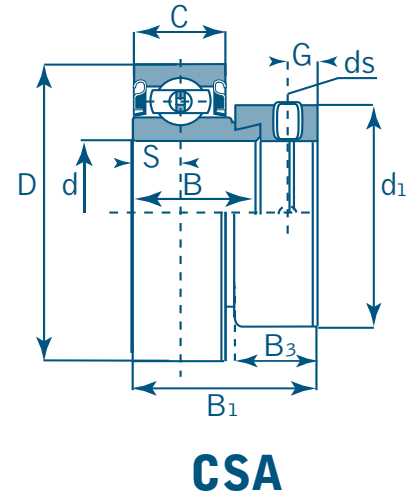
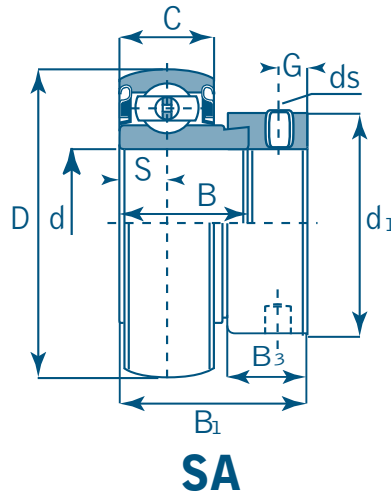
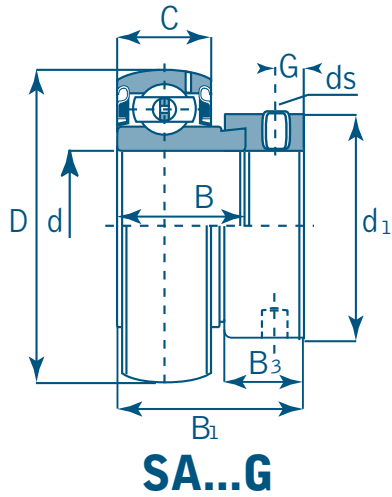


Unit No.	Shaft Dia. Inch / mm d	Dimensions Inch / mm									Basic load rating lbf / N		Weight	
		D	d <sub>1</sub>	B	B <sub>1</sub>	B <sub>3</sub>	C	S	G	ds	dynamic C <sub>r</sub>	static C <sub>0r</sub>	kg	lbs
CSA 104-12	3/4	1.6335 42	1.299 33	0.6354 16.14	1.0402 26.42	0.5197 13.2	0.4724 12	0.2362 6	0.1969 5	1/4-28 UNF M6 x 0.75	2109 9380	1124 5000	0.12	0.26
SA 201	12 mm												0.12	0.26
SA 201-8	1/2												0.14	0.31
SA 202	15 mm	1.5748	1.126	0.7520	1.126	0.5315	0.4724	0.2362	0.1969	1/4-28 UNF	2151	1057	0.11	0.24
SA 202-10	5/8	40	28.6	19.1	28.6	13.5	12	6	5	M6 x 0.75	9570	4700	0.13	0.29
SA 203	17 mm												0.10	0.22
SA 203-11	11/16												0.12	0.26
SA 204	20 mm	1.8504	1.311	0.8465	1.2165	0.5315	0.5512	0.2755	0.1969	1/4-28 UNF	2886	1495	0.16	0.35
SA 204-12	3/4	47	33.3	21.5	30.9	13.5	14	7	5	M6 x 0.75	12840	6650	0.15	0.33
SA 205	25 mm	2.0472	1.500	0.8465	1.2402	0.5315	0.5905	0.2953	0.1969	1/4-28 UNF	3152	1771	0.21	0.46
SA 205-14	7/8	52	38.1	21.5	31.5	13.5	15	7.5	5	M6 x 0.75	14020	7880	0.19	0.42
SA 205-15	15/16												0.18	0.40
SA 205-16	1												0.18	0.40
SA 206	30 mm	2.4409	1.752	0.9370	1.4055	0.6260	0.6299	0.3150	0.2362	5/16-24 UNF	4375	2542	0.30	0.66
SA 206-18	1-1/8	62	44.5	23.8	35.7	15.9	16	8	6	M8 x 1	19460	11310	0.30	0.66
SA 206-19	1-3/16												0.30	0.66
SA 206-20	1-1/4												0.29	0.64
SA 207	35 mm	2.8346	2.189	1.000	1.5315	0.6890	0.6693	0.3346	0.2559	5/16-24 UNF	5771	3439	0.55	1.21
SA 207-20	1-1/4	72	55.6	25.4	38.9	17.5	17	8.5	6.5	M8 x 1	25670	15300	0.53	1.17
SA 207-21	1-5/16												0.50	1.10
SA 207-22	1-3/8												0.50	1.10
SA 207-23	1-7/16												0.47	1.03
SA 208	40 mm	3.1496	2.374	1.1890	1.7204	0.7205	0.7087	0.3543	0.2559	5/16-24 UNF	29520	18140	0.63	1.39
SA 208-24	1-9/16	80	60.3	30.2	43.7	18.3	18	9	6.5	M8 x 1	6636	4078	0.67	1.47
SA 208-25	1-1/2												0.65	1.43
SA 209	45 mm	3.3465	2.500	1.1890	1.7165	0.7205	0.7480	0.3740	0.2559	5/16-24 UNF	31670	20680	0.66	1.45
SA 209-26	1-5/8	85	63.5	30.2	43.6	18.3	19	9.5	6.5	M8 x 1.25	7119	4649	0.74	1.63
SA 209-27	1-11/16												0.72	1.58
SA 209-28	1-3/4												0.67	1.47

Add (G)suffix for regreasable. (ex. SA 205-16G)

Light Duty



Unit No.	Shaft Dia. Inch / mm d	Dimensions Inch / mm									Basic load rating lbf / N		Weight	
		D	d1	B	B1	B3	C	S	G	ds	dynamic Cr	static C0r	kg	lbs
SA 210 210-30 210-31 210-32	50 mm 1-7/8 1-15/16 2	3.5433 90	2.752 69.9	1.1890 30.2	1.7165 43.6	0.7205 18.3	0.7874 20	0.3973 10	0.2559 6.5	5/16-24 UNF M8 x 1	35070 7884	23180 5211	0.80 0.86 0.83 0.79	1.76 1.89 1.83 1.74
SA 211 211-32 211-34 211-35	55 mm 2 2-1/6 2-3/16	3.9370 100	3.000 76.2	1.2795 32.5	1.9055 48.5	0.8150 20.7	0.8270 21	0.4134 10.5	0.3150 8	3/8-24 UNF M10 x 1.25	43380 9752	29220 6569	0.77 0.95 0.86 0.81	1.69 2.09 1.89 1.78
SA 212 212-36 212-38 212-39	60 mm 2-1/4 2-3/8 2-7/16	4.3310 110	3.315 84.2	1.4606 37.1	2.0906 53.1	0.8780 22.3	0.8660 22	0.4330 11	0.3150 8	3/8-24 UNF M10 x 1.25	47760 10736	32930 7403	0.99 1.00 0.99 0.98	2.18 2.20 2.18 2.16

Unit No.	Shaft Dia. Inch / mm d	Dimensions Inch / mm							Basic load rating lbf / N	
		D	d1	B	B1	B3	C	S	dynamic Cr	static C0r
CSA 001F 001-8F 001-9F 002F 002-10F	12 mm 1/2 9/16 15 mm 5/8	1.3780 35	1.000 25.4	0.6250 15.9	0.9375 23.8	0.4375 11.1	0.6250 11	0.2165 5.5	1720 7650	836 3720
CSA 004-F 004-12F	20 mm 3/4	1.6535 42	1.1719 29.8	0.6563 16.7	0.9688 24.6	0.4375 11.1	0.4720 12	0.2362 6	2109 9380	1128 5020
CSA 005F 005-14F 005-15F 005-16F	25 mm 7/8 15/16 1	1.8504 47	1.4219 36.1	0.6875 17.5	1.000 25.4	0.4688 11.9	0.4720 12	0.2362 6	2248 10000	1315 5850
CSA 006F 006-18F 006-19F 006-20F	30 mm 1-1/8 1-3/16 1-1/4	2.1654 55	1.6719 42.5	0.7283 18.5	1.0433 26.5	0.4688 11.9	0.5120 13	0.2559 6.5	2967 13200	1866 8300

Add (G)suffix for regreasable. (ex. SA 211-32G)