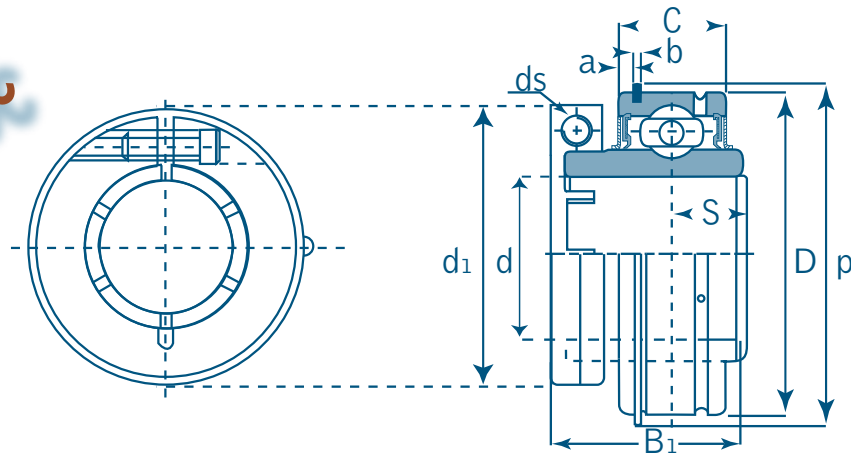


Normal Duty

**GRaB Loc**



**GER**

Unit No.	Shaft Dia. Inch / mm	Dimensions Inch / mm										Basic load rating lbf / N		Weight	
		d	D	d1	K	B1	b	C	S	a	p	ds	dynamic	static	kg
GER 204 204-12	20 mm 3/4	1.8504 47	1.7520 44.5	0.3740 9.5	1.3740 34.9	0.0531 1.35	0.7519 19.10	0.500 12.70	0.0968 2.46	2.0748 52.70	8-32 x 5/8	2900 12900	1410 6272	0.22	0.48
GER 205 205-14 205-15 205-16	25 mm 7/8 15/16 1	2.0472 52	1.9370 49.2	0.3740 9.5	1.5118 38.4	0.0531 1.35	0.7519 19.10	0.5629 14.30	0.0968 2.46	2.2795 57.90	8-32 x 5/8	3150 14012	1610 7162	0.35	0.77
GER 206 206-18 206-19 206-20	30 mm 1-1/8 1-3/16 1-1/4	2.4409 62	2.1890 55.6	0.3740 9.5	1.6496 41.9	0.0748 1.90	0.8740 22.20	0.6259 15.90	0.1291 3.28	2.6653 67.70	8-32 x 5/8	4370 19438	2320 10319	0.50	1.10
GER 207 207-20 207-21 207-22 207-23	35 mm 1-1/4 1-5/16 1-3/8 1-7/16	2.8346 72	2.5590 65	0.4370 11.1	1.870 47.5	0.0748 1.90	0.9370 23.8	0.6897 17.50	0.1291 3.28	3.0944 78.60	10-24 x 3/4	5770 25665	3150 14011	0.66	1.45
GER 208 208-24 208-25	40 mm 1-1/2 1-9/16	3.1496 80	2.6890 68.3	0.4370 11.1	2.1141 53.7	0.0748 1.90	1.0944 27.80	0.7480 19.00	0.1291 3.28	3.4094 86.60	10-24 x 3/4	7340 32648	3650 16235	0.81	1.78
GER 209 209-26 209-27 209-28	45 mm 1-5/8 1-11/16 1-3/4	3.3464 85	2.9370 74.6	0.4370 11.1	2.1220 53.9	0.0748 1.90	1.0944 27.80	0.7480 19.00	0.1291 3.28	3.6062 91.60	10-24 x 3/4	7350 32693	4150 18459	0.83	1.83
GER 210 210-30 210-31 210-32	50 mm 1-7/8 1-15/16 2	3.5433 90	3.3740 85.7	0.5629 14.3	2.2677 57.6	0.1062 2.70	1.1259 28.60	0.7480 19.00	0.1291 3.28	3.7992 96.50	1/4-20 x 1	7880 35050	4650 20683	1.09	2.40
GER 211 211-32 211-34 211-35	55 mm 2 2-1/8 2-3/16	3.9370 100	3.6220 92	0.5629 14.3	2.4291 61.7	0.1062 2.70	1.1889 30.20	0.8740 22.20	0.1291 3.28	4.1929 106.50	1/4-20 x 1	9740 43324	5850 20021	2.91	1.32
GER 212 212-36 212-38 212-39	60 mm 2-1/4 2-3/8 2-7/16	4.3307 110	4.1338 105	0.6889 17.5	2.8464 72.3	0.1062 2.70	1.2519 31.80	1.000 25.4	0.1291 3.28	4.5905 116.60	5/16-18 x 1	11780 52397	7250 32248	1.95	4.30